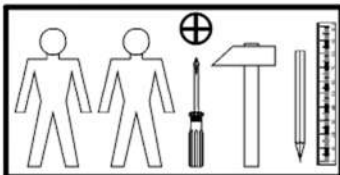
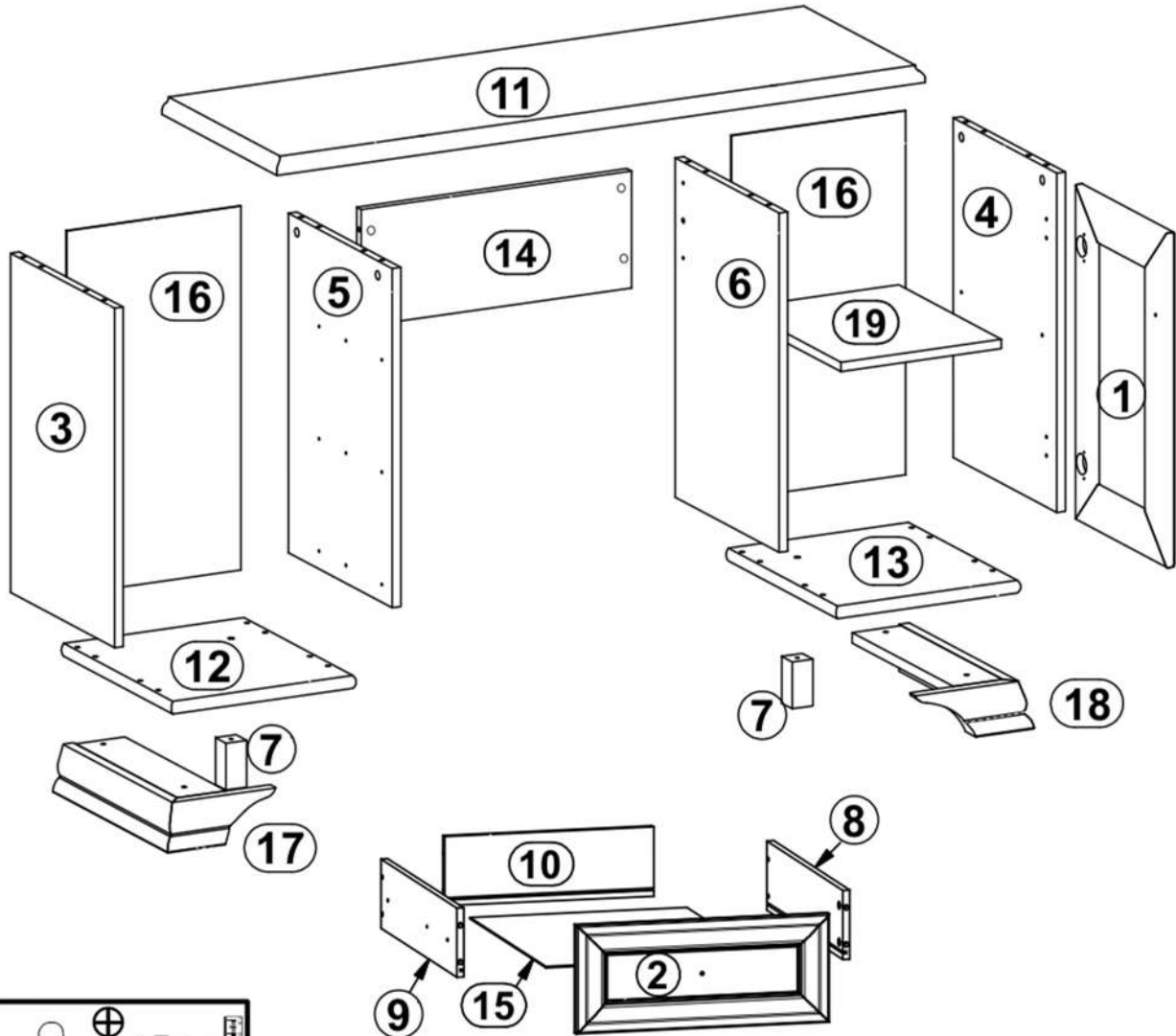
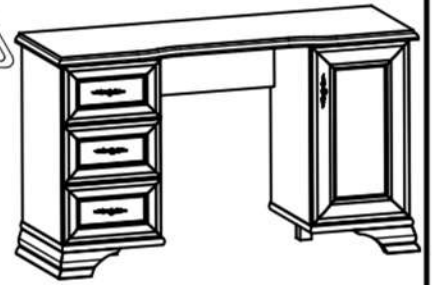


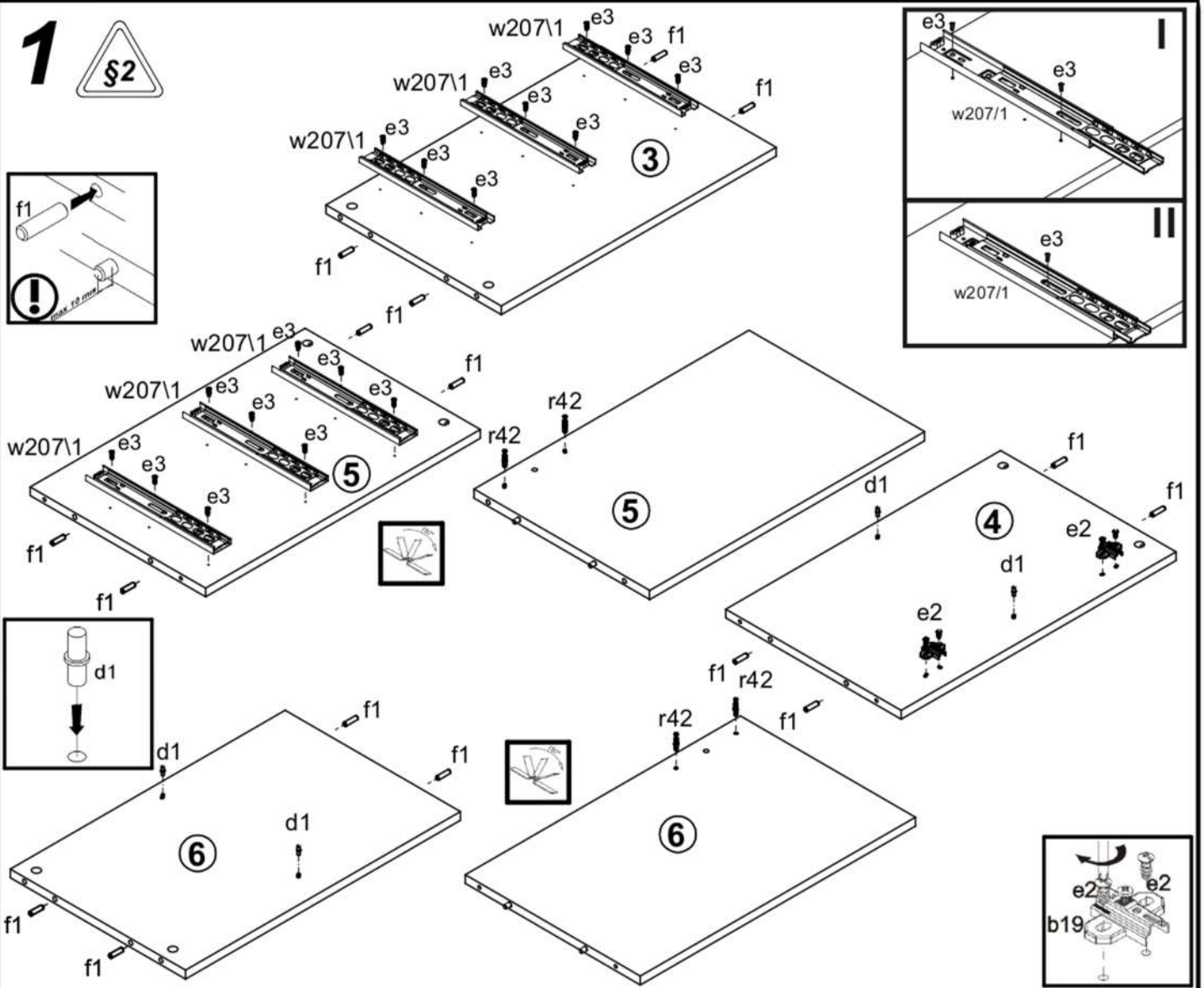
KENTAK

A	B	C	D	A	B	C	D
1	S320-0032	572	326	4/4	10	S320-5551N	240 120 1/4
2	S320-0031N	326	188	4/4	11	S320-2241N	1200 409 2/4
3	S320-150N	580	370	1/4	12	S320-240	342 392 2/4
4	S320-152	580	370	1/4	13	S320-242	342 392 2/4
5	S320-151N	580	370	1/4	14	S320-419	500 200 2/4
6	S320-153	580	370	1/4	15	S320-932N	255 348 2/4
7	S320-575	80	38	1/4	16	S320-933	622 322 2/4
8	S320-568N	350	120	1/4	17	S320-513	408 210 3/4
9	S320-567N	350	120	1/4	18	S320-514	408 210 3/4
					19	S320-328	297 366 1/4

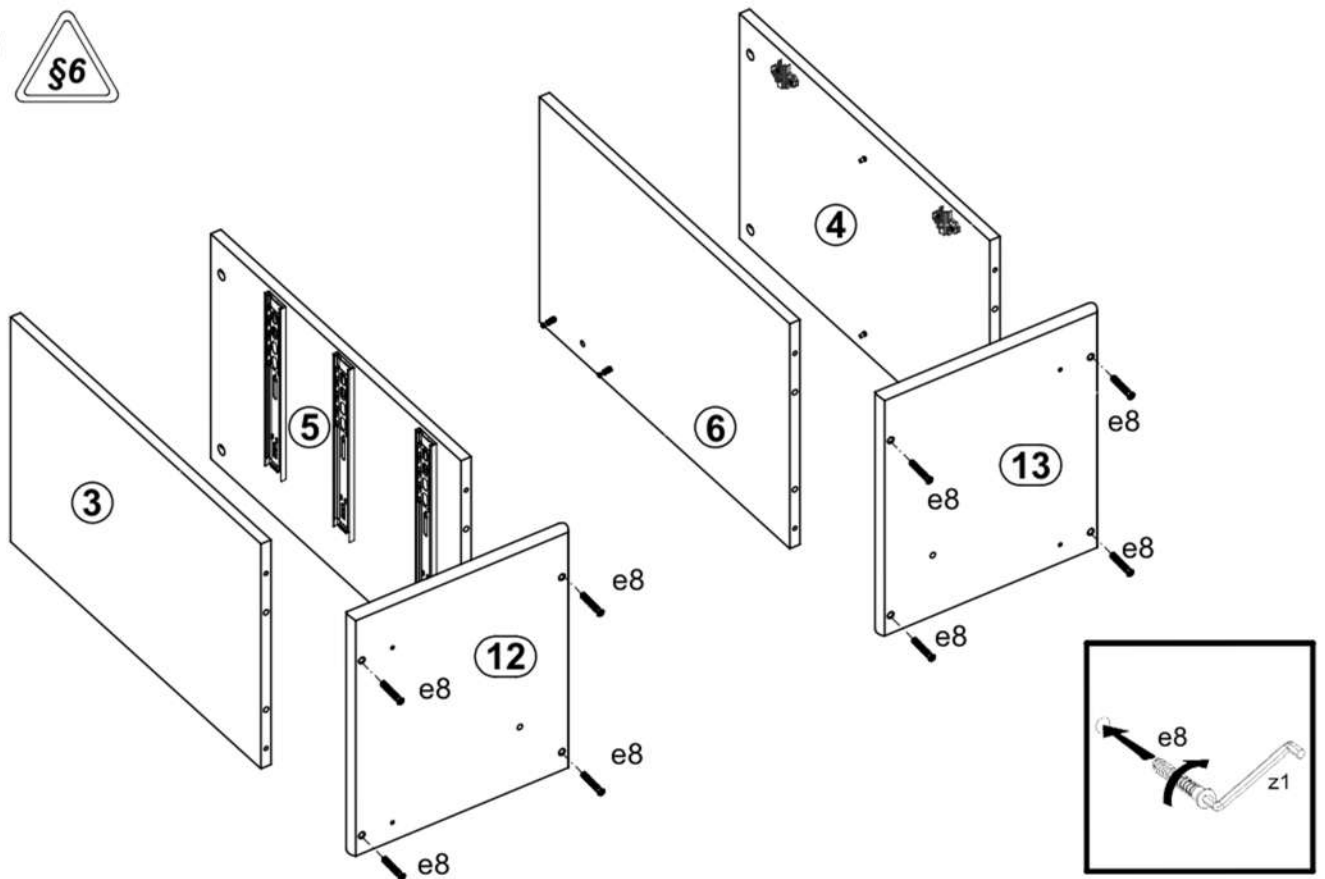


2x a44	2x b19	4x c35/1	4x c35/2	6x w207/1	6x w207/2	18x p140	4x d1
1x M4x30 mm j6	3x M4x18 mm j59	4x φ6,3x13 mm e2	4x φ7x35 mm e26	18x φ6x13 mm e3	10x φ7x60 mm e8	24x φ8x30 mm f1	12x φ6,5x40 mm f25
4x φ3,5x15 mm p51	24x φ1,5x12 mm #16 r1	24x r42	22x ø16 s2	1x s1	1x z1	40x l1	

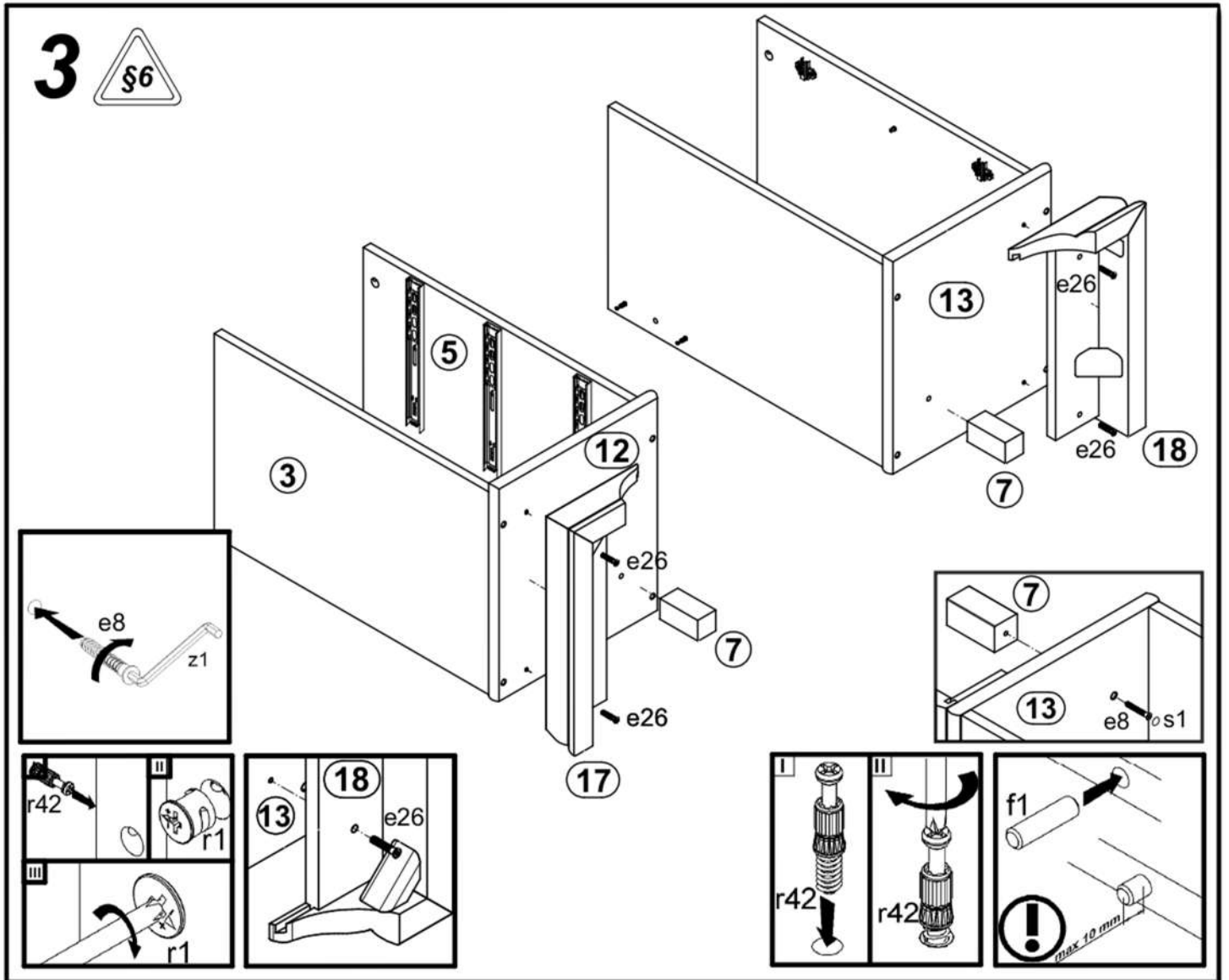
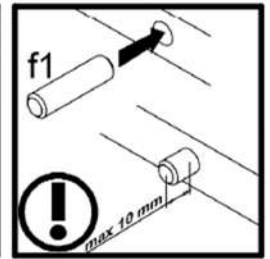
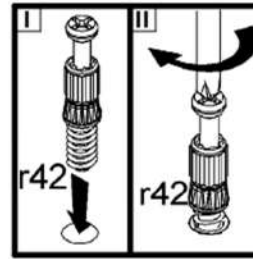
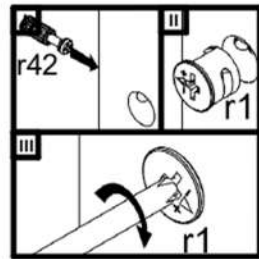
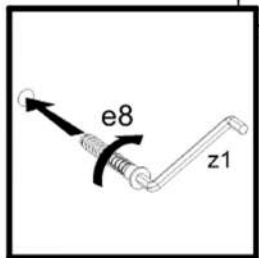
1



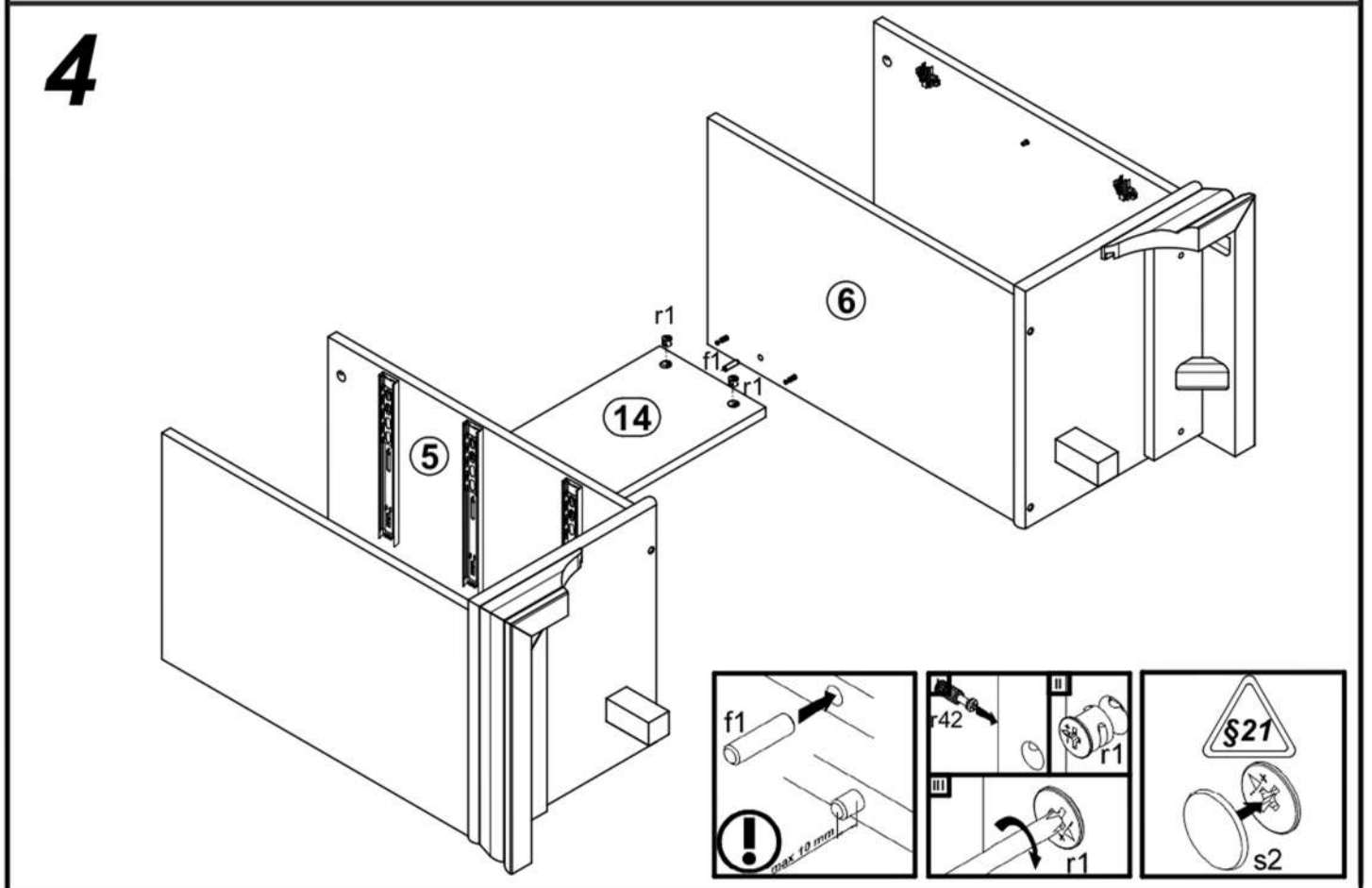
2



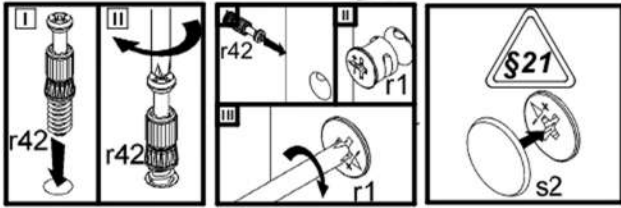
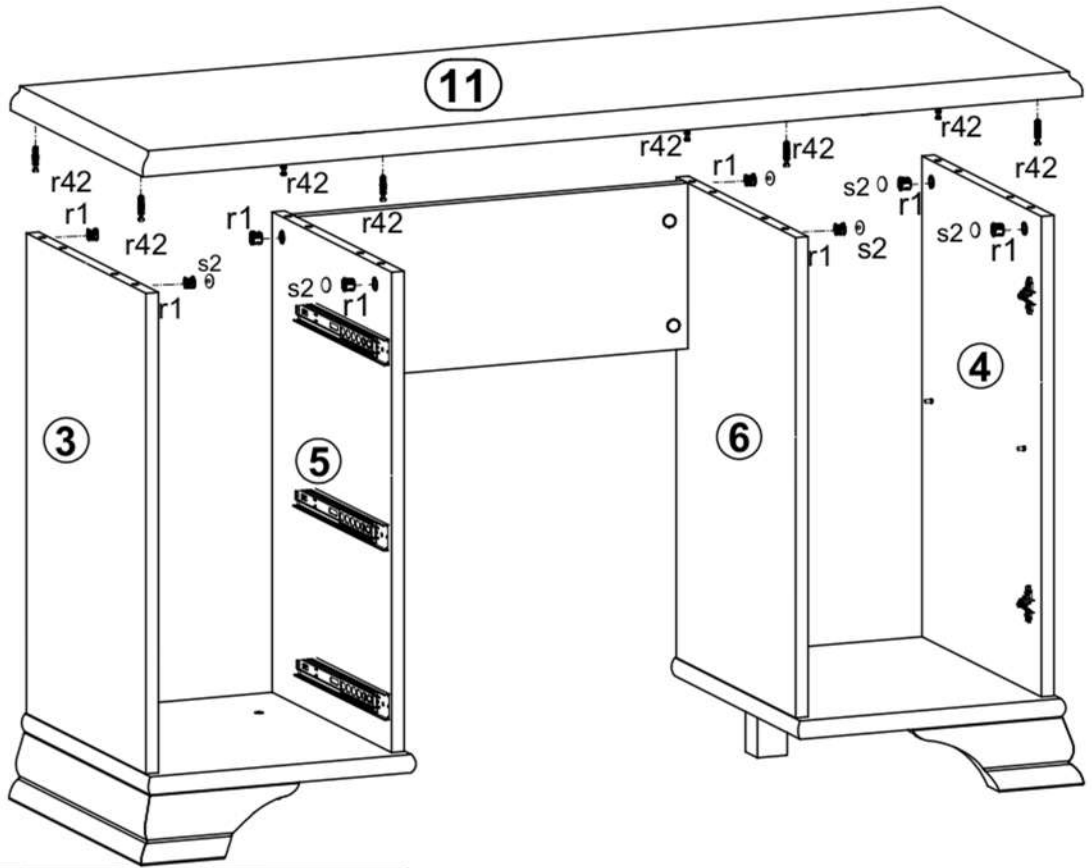
3



4



5



6

